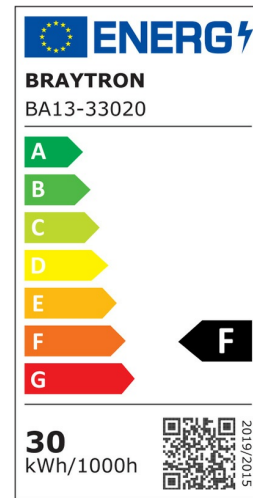
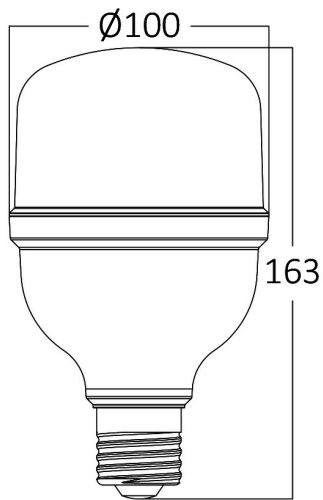
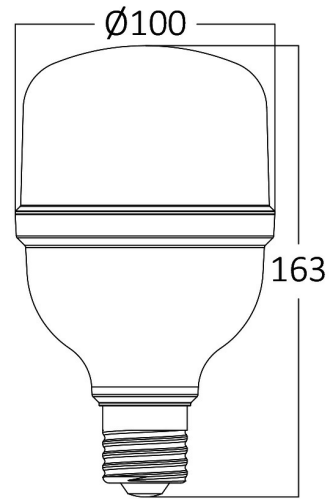


Braytron

PRODUCT DATASHEET

MODEL NO BA13-33020

DESCRIPTION BRY-ADVANCE-30W-E27-T100-PLS-3000K-LED BULB



BRAYTRON SRL

Bulaverdul iuliu maniu, Nr.616, Sector 6, 061129, Bucuresti-ROMANIA

info@braytron.com

www.braytron.com

Page 1-2

General Characteristics

Model No	:	BA13-33020
Main Family	:	Bulbs & Tubes
Sub Family	:	T Shape Bulbs
Type	:	T100
Lamp Shape	:	Non-Directional
Dimmable	:	Not-Dimmable
Light Source	:	LED
Socket	:	E27
Warranty	:	2 years
Class	:	Class II
IP	:	IP20

Electrical Characteristics

Lifetime	:	15000 h
Voltage	:	220-240V
Power Factor	:	>0,5
Material	:	PBT
Working Temperature	:	-20 C+40 C
Frequency	:	50-60 Hz
Current	:	228 mA

Package Informations

N.W.	:	2,55 kgs
G.W.	:	4,15 kgs
PCS/CTN	:	30 pcs
Length	:	515 mm
Width	:	315 mm
Height	:	350 mm
EAN	:	5949097726118

Product Characteristics

Wattage	:	30 w
Color Temperature	:	3000K
Quse Lumen	:	3000 lm
Color Rendering Index (CRI)	:	>80
Energy Efficiency Level	:	F
Beam Angle	:	180° Degrees
Equivalent	:	175 w
Color Category	:	Warm White

Dimensions & Weight

Diameter	:	99 mm
P. Height	:	160 mm
Weight	:	85 gr