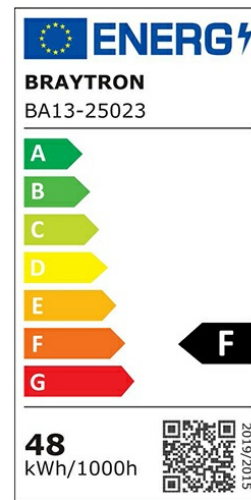
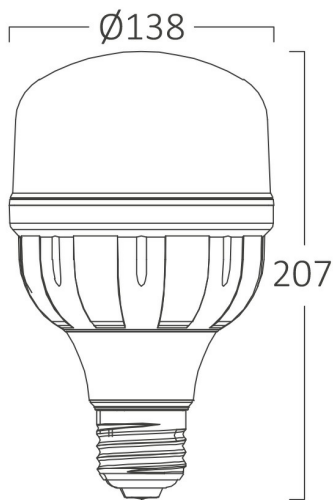


Braytron

PRODUCT DATASHEET

MODEL NO BA13-25023

DESCRIPTION BRY-ADVANCE-48W-E27-T140-6500K-LED BULB



BRAYTRON SRL

Bulaverdul iuliu maniu, Nr.616, Sector 6, 061129, Bucuresti-ROMANIA

info@braytron.com

www.braytron.com

General Characteristics

Model No	:	BA13-25023
Main Family	:	Bulbs & Tubes
Sub Family	:	T Shape Bulbs
Type	:	T140
Lamp Shape	:	Non-Directional
Dimmable	:	Not-Dimmable
Light Source	:	LED
Socket	:	E27
Warranty	:	2 years
Class	:	Class II
IP	:	IP20

Electrical Characteristics

Lifetime	:	15000 h
Voltage	:	220-240V
Power Factor	:	>0,5
Material	:	PBT
Working Temperature	:	-20 C+40 C
Frequency	:	50-60 Hz
Current	:	385 mA

Package Informations

N.W.	:	1,50 kgs
G.W.	:	2,60 kgs
PCS/CTN	:	8 pcs
Length	:	570 mm
Width	:	300 mm
Height	:	230 mm
EAN	:	5949097724077

Product Characteristics

Wattage	:	48 w
Color Temperature	:	6500K
Quse Lumen	:	4980 lm
Color Rendering Index (CRI)	:	>80
Energy Efficiency Level	:	F
Beam Angle	:	180° Degrees
Equivalent	:	250 w
Color Category	:	Cool White

Dimensions & Weight

Diameter	:	138 mm
P. Height	:	207 mm
Weight	:	192 gr