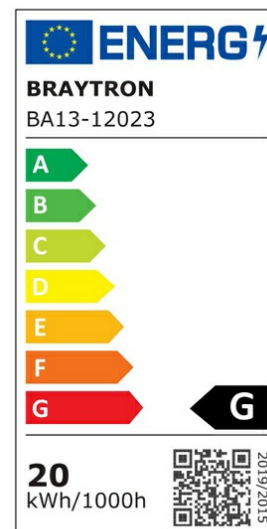
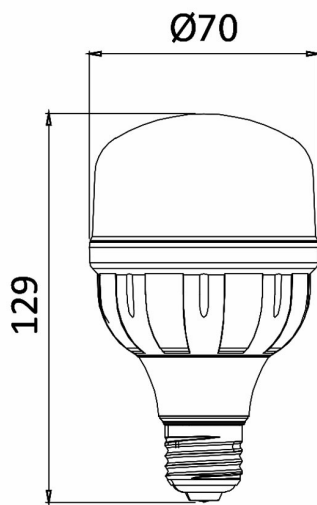


# Braytron

## PRODUCT DATASHEET

MODEL NO BA13-12023

DESCRIPTION BRY-ADVANCE-20W-E27-T70-6500K-LED BULB



BRAYTRON SRL

Bulaverdul iuliu maniu, Nr.616, Sector 6, 061129, Bucuresti-ROMANIA

info@braytron.com

www.braytron.com

### General Characteristics

Model No	:	BA13-12023
Main Family	:	Bulbs & Tubes
Sub Family	:	T Shape Bulbs
Type	:	T70
Lamp Shape	:	Non-Directional
Dimmable	:	Not-Dimmable
Light Source	:	LED
Socket	:	E27
Warranty	:	2 years
Class	:	Class II
IP	:	IP20

### Electrical Characteristics

Lifetime	:	15000 h
Voltage	:	220-240V
Power Factor	:	>0,5
Material	:	PBT
Working Temperature	:	-20 C+40 C
Frequency	:	50-60 Hz
Current	:	153 mA

### Package Informations

N.W.	:	1,60 kgs
G.W.	:	2,85 kgs
PCS/CTN	:	40 pcs
Length	:	375 mm
Width	:	300 mm
Height	:	280 mm
EAN	:	5949097706288

### Product Characteristics

Wattage	:	20 w
Color Temperature	:	6500K
Quse Lumen	:	1720 lm
Color Rendering Index (CRI)	:	>80
Energy Efficiency Level	:	F
Beam Angle	:	180° Degrees
Equivalent	:	110 w
Color Category	:	Cool White

### Dimensions & Weight

Diameter	:	70 mm
P. Height	:	122 mm
Weight	:	40 gr