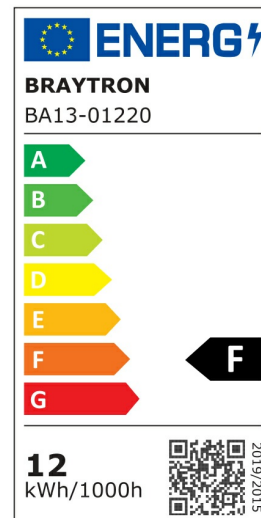
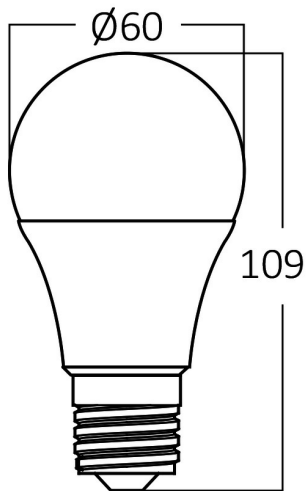
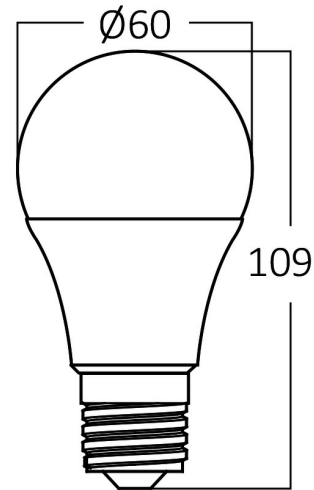


PRODUCT DATASHEET

MODEL NO BA13-01220

DESCRIPTION BRY-ADVANCE-12W-E27-A60-PLS-3000K-LED BULB



General Characteristics

| | | |
|--------------|---|-----------------|
| Model No | : | BA13-01220 |
| Main Family | : | Bulbs & Tubes |
| Sub Family | : | A Shape Bulbs |
| Type | : | A60 |
| Lamp Shape | : | Non-Directional |
| Dimmable | : | Not-Dimmable |
| Light Source | : | LED |
| Socket | : | E27 |
| Warranty | : | 2 years |
| Class | : | Class II |
| IP | : | IP20 |

Electrical Characteristics

| | | |
|---------------------|---|------------|
| Lifetime | : | 15000 h |
| Voltage | : | 220-240V |
| Power Factor | : | >0,5 |
| Material | : | PBT |
| Working Temperature | : | -20 C+40 C |
| Frequency | : | 50-60 Hz |
| Current | : | 76 mA |

Package Informations

| | | |
|---------|---|---------------|
| N.W. | : | 2,80 kgs |
| G.W. | : | 5,50 kgs |
| PCS/CTN | : | 100 pcs |
| Length | : | 630 mm |
| Width | : | 325 mm |
| Height | : | 250 mm |
| EAN | : | 5949097700231 |

Product Characteristics

| | | |
|-----------------------------|---|--------------|
| Wattage | : | 12 w |
| Color Temperature | : | 3000K |
| Quse Lumen | : | 1055 lm |
| Color Rendering Index (CRI) | : | >80 |
| Energy Efficiency Level | : | F |
| Beam Angle | : | 180° Degrees |
| Equivalent | : | 75 w |
| Color Category | : | Warm White |

Dimensions & Weight

| | | |
|-----------|---|--------|
| Diameter | : | 60 mm |
| P. Height | : | 109 mm |
| Weight | : | 28 gr |